

# Saddlemen™

## INSTALLATION INSTRUCTIONS

www.saddlemen.com

### CRUSIN' DELUXE SADDLEBAGS

3501-0717  
Throw-over yoke type



#### FEATURES OF THE CRUSIN' DELUXE SADDLEBAG SET:

- Distinctively styled saddlebags look great on any style motorcycle with a layered lids and spacious zippered side pouches that flow together to create truly handsome luggage.
- Rugged SaddleHyde construction bags with strong internal reinforcement to hold their shape with lids that pivot forward when opening to provide excellent cargo access.
- Contents stay clean and dry with zippered openings covered by weather flaps fitted with ¼ turn hasps that accept mini padlocks for security.
- Detachable and fully adjustable yoke system allows easy installation and combines perfectly with Saddlemen's saddlebag supports.
- You can add a Saddlemen quick-release kit with supports to change from a throw over saddlebag set to a rigidly mounted set that can be removed from your bike in seconds.
- Includes installation instructions plus all yoke attachment and adjustment hardware.

### ⚠ WARNING

#### READ THESE INSTRUCTIONS THOROUGHLY BEFORE INSTALLATION!

Because of the variety of motorcycle configurations, other accessories, and the features and intended use of this accessory, there are many different mounting options. You are responsible for the proper installation of this accessory on your motorcycle. Your attention to these installation instructions and recommendations will permit safe and proper use of this accessory. You must mount the accessory properly and securely before riding your motorcycle. If you lack the ability to safely and properly install this accessory, seek out a qualified motorcycle technician for assistance. During installation, support the motorcycle with a suitable stand or lift so it will not tip over and injure you, or damage the vehicle. Using or mounting this accessory improperly could result in a loss of control of the motorcycle which could result in damage to your motorcycle or other personal property, the property of third parties, and/or personal injury to yourself or others, up to and including death.

#### BE SURE TO THOROUGHLY READ AND CLOSELY FOLLOW THE MOUNTING INSTRUCTIONS THAT ARE INCLUDED WITH THIS ACCESSORY:

- The bags must be installed and securely fastened onto the rear fender or seat.
- Install the bags securely so that they will not shift or move while riding. Make sure the mounting straps and hardware will not contact the wheels, suspension or any other moving parts of the motorcycle.
- Supports that bolt to your motorcycle are required to keep the saddlebags from shifting and contacting the drive train, suspension, swingarm, brakes or wheel components.
- If you do not understand the mounting instructions DO NOT mount the bag. Remove all straps or components you may have already installed on your motorcycle.
- Thoroughly inspect your motorcycle luggage before every ride. Do not use the bags if the mounting system has been modified, deteriorated, loosened or are beginning to fail.
- Before riding, completely close the yoke zippers (located between the yoke and bag) and lock them in place with the mini-padlocks (or cable ties).
- Continually check the security of the bags and strap attachments at each stop as you ride. Straps can loosen during operation, so be sure to check them frequently.
- Do not use this accessory if you have any doubts as to whether it is properly mounted to your motorcycle.
- Do not exceed 5 pounds of total weight in each bag, its contents and attachments. Balance the weight equally per bag to minimize load affects on your motorcycle's handling.
- When using this luggage, do not exceed your vehicle's Maximum Gross Vehicle Weight as listed on your motorcycle or in the manufacturer's owner's manual.
- Once the bags are removed from your motorcycle, all loose mounting straps must be removed or secured so that they will not contact or interfere with any part of the drive train, suspension, brakes or wheels during riding.
- If your bags are ever damaged, do not use them until they have been inspected by your local professional motorcycle dealer. Replace them immediately if it has damage that will prevent them from being properly secured to your motorcycle or able to securely hold their contents.

#### DO NOT ATTEMPT TO USE THIS ACCESSORY IF:

- You do not understand these installation and use instructions,
- You do not understand any part of the accessory mounting system,
- You have any doubts as to the security of the mounting system.

If you have any concerns or questions, seek help at your qualified motorcycle dealer or call the Saddlemen support line at (310) 638-1222.

Remember: Motorcycling can be a dangerous activity. Installation of any accessory can increase your risk if it is not installed properly. You are responsible to install this accessory so it will not contact any portion of the drive train, suspension or steering, or if it will in any way interfere with the operation of your motorcycle.

#### PARTS INCLUDED WITH THE SADDLEBAG SET:

Part	Qty.
Saddlebag set .....	1
Yoke set (left & right) .....	1
Mini-padlock & keys .....	4
Instruction sheet .....	1

#### RECOMMENDED TOOLS:

Basic hand tools required to remove seat (*specific SAE or metric tools required to mount the recommended saddlebag supports*)



**INSTALLATION INSTRUCTIONS:**

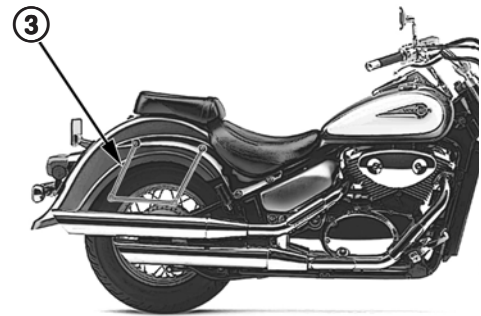
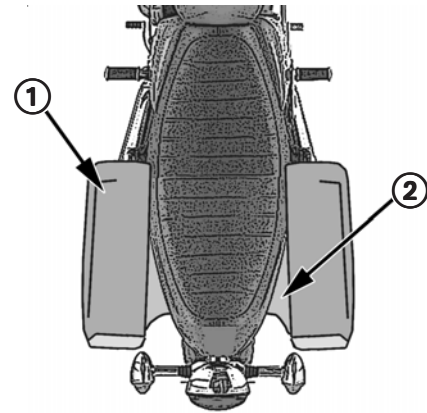
Your Saddlemen Crusin' Deluxe saddlebags mount over the back seat or rear fender of most motorcycles, with one saddlebag ① on each side of the motorcycle. The saddlebags can be placed on the motorcycle in a "throw-over" fashion with the supplied, adjustable yoke set ② so the bags can rest on the fender or seat.

You should install supports that will prevent the bags from interfering with the rear wheel or other chassis components. These saddlebags can also be mounted directly to Saddlemen saddlebag supports in a permanent fashion, eliminating the need for the yoke set.

**IMPORTANT:** For your safety, and the protection of your motorcycle and saddlebags, it is essential that you install saddlebag supports ③ (see [www.saddlemen.com](http://www.saddlemen.com) for information on metric or SAE hardware supports or visit your local motorcycle dealer to obtain information about comparable supports) even if you do not permanently attach the saddlebags to the supports.

Both saddlebags must be securely placed on the vehicle with supports in a way that prevents the bags from interfering with any part of the motorcycle's operation, including turn signals, tail or brake lights, the exhaust system, or the suspension, or drive train.

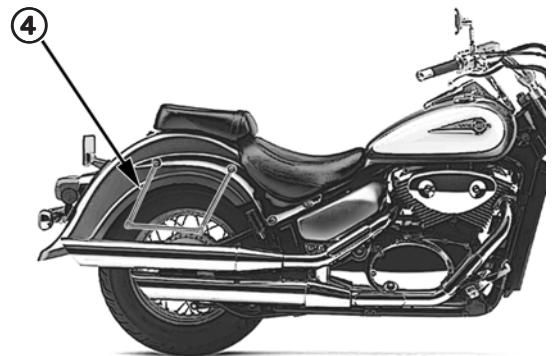
Carefully read and follow the installation recommendations provided with the saddlebag supports you chose to install on your motorcycle. Like other accessories, you are responsible for the proper and safe installation of the supports and saddlebags on your motorcycle. You (or your professional motorcycle technician) will need to determine the best mounting configuration for your motorcycle.



**"THROW-OVER" MOUNTING CONFIGURATION:**

Even if you are placing the saddlebags on your motorcycle with the supplied yoke set, it is essential that you install the saddlebag supports ④ to protect your motorcycle and bags from potential damage.

With this "throw-over" mounting configuration, you place the yoke set under or on top of the seat, so you can easily take your bags with you when you park your motorcycle. Since the saddlebags attach to the yoke set with zippers so you can also take one or both bags with you, while leaving the yoke set on the motorcycle.



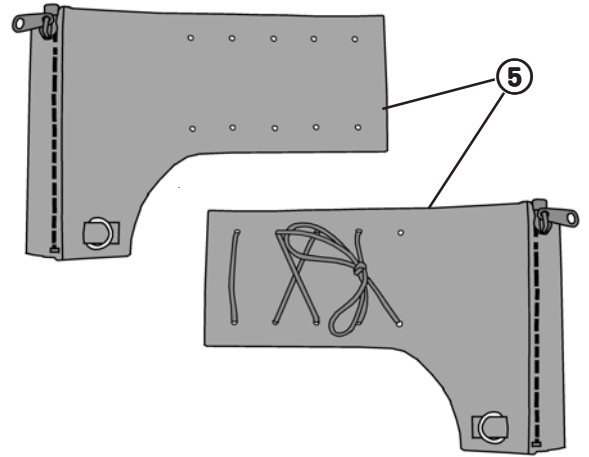
The images in this instruction set may be different than your accessory or motorcycle.

*Continued on next page...*

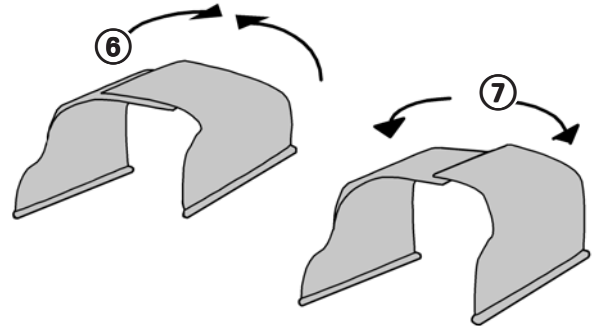


The yoke set has two sides (5) that are laced together to set the height and the front-to-back position of the saddlebags on your motorcycle. The yokes can also be laced together to create an angular saddlebag configuration, which can be useful if your motorcycle's chassis is tapered.

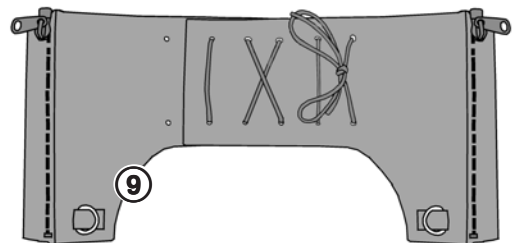
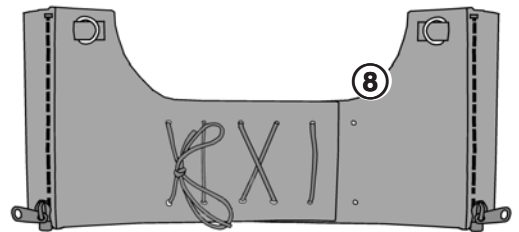
**IMPORTANT:** As you begin to determine the mounting position of your saddlebags, be aware that the bags must be at least two inches clear of any exhaust pipe, while the motorcycle is stationary and moving.



For saddlebag height adjustment, separate the two yoke halves and reposition them where you want them to be on the motorcycle (under the seat, above the seat, etc.). Adjust the yokes shorter (6) for a higher saddlebag position, and longer (7) for a lower saddlebag position.



For front-to-back saddlebag position adjustment, set the curved section of the yokes (8) towards the front of the motorcycle to move the bags to a forward position. To set the position toward the rear, rotate the yoke set so the curved section (9) is towards the rear of the motorcycle.



Continued on next page...



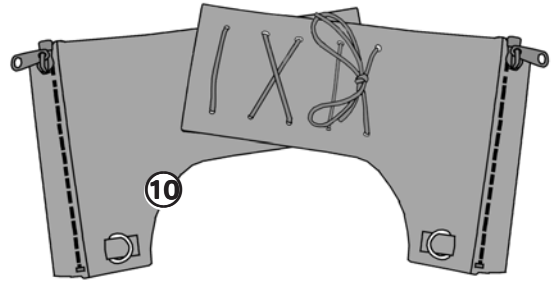
The images in this instruction set may be different than your accessory or motorcycle.

Continued on next page...

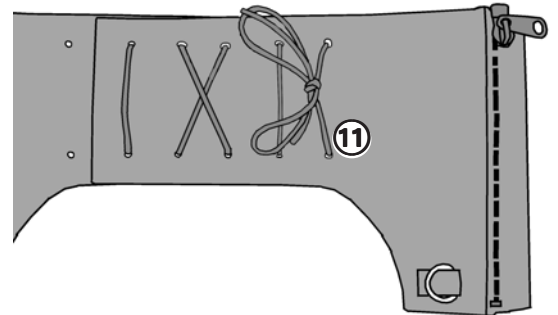
**INSTALLATION INSTRUCTIONS (continued):**

The halves of the yoke set can be attached at an angle ⑩ to accommodate a motorcycle chassis shape that may be tapered.

**REMEMBER:** The yoke set permits you to adjust the saddlebag's location to clear turn signals, shock absorbers, grab rails and other items on the motorcycle's chassis.

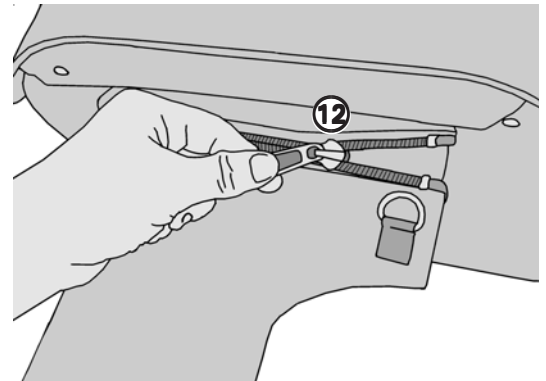


When you have the yoke set in the desired position, lace the sides together with the supplied cord and knot the ends securely ⑪.

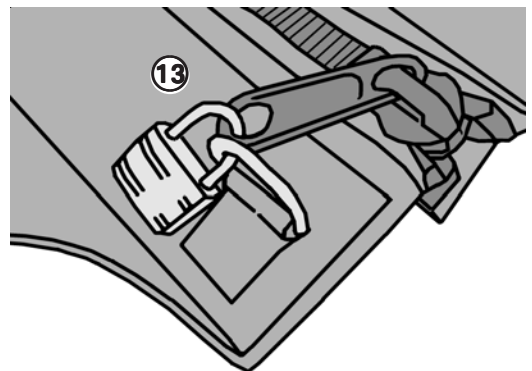


Zip the saddlebags onto the yoke set ⑫ and make sure the bags are in the desired position. Make sure the yoke set or the saddlebags are not touching any components such as the exhaust, the wheel, the shock absorbers or any moving or non-moving part of the motorcycle which could cause damage or interfere with the vehicle's safe operation.

**IMPORTANT:** To avoid afore mentioned interference, you must install saddlebag supports to your motorcycle as recommended in this instruction sheet.



When you've placed the saddlebags on your motorcycle in the proper position, secure the bags to the yoke set by routing the supplied padlocks' shackles through the zipper fobs and the D-rings on the yoke set ⑬. Use the cords attached to the corners of the saddlebags to tie the bags to the saddlebag supports to further secure the bags to the chassis.



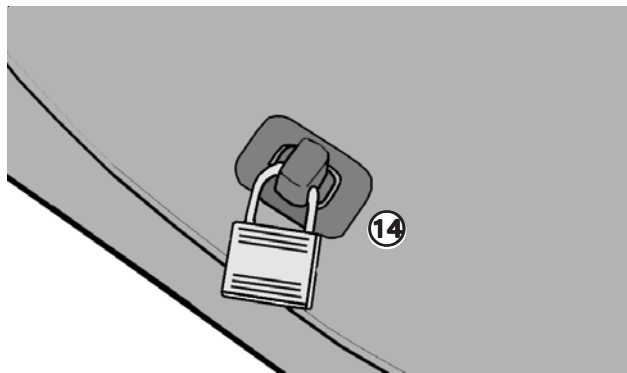
The images in this instruction set may be different than your accessory or motorcycle.

*Continued on next page...*

## INSTALLATION INSTRUCTIONS (continued):

### LOCKING THE SADDLEBAGS:

The saddlebags are supplied with an additional pair of padlocks that can be used to secure the twist-lock closures ⑭ on the outer flaps.



**IMPORTANT:** Failure to install this accessory properly may allow the saddlebags (or the supports you must install) to contact the wheel or other moving parts.

It is vital that you verify that the saddlebags (or the supports you must install) will not touch, or interfere with other components as the suspension moves through its entire stroke.

You must also check the clearance of all of the components with the bike under load, to ensure that the swingarm, drive belt or chain guard, brake components, and turn signals all clear the saddlebags (or the supports you must install) when bike is ridden.

Make sure that the saddlebags (or the supports you must install) do not touch the exhaust or other non-moving components, as well, as they may be damaged from contact with the accessory.

Check to be sure that all lights and safety reflectors are visible once the saddlebags are in place. If the saddlebags block the motorcycle's reflectors, place reflectors on the exterior of the saddlebags (reflectors with self-adhesive backing are available from Saddlemen or your local motorcycle or automobile supply stores).

Occasionally, the configuration of this accessory with certain motorcycles, may require turn signal relocation and/or helmet lock removal.

Overloaded or overweight saddlebags can damage the supports you may have installed. After loading cargo in the saddlebags, visually check the clearance between the supports and any moving parts on the motorcycle's chassis.

After 50 miles (80 kilometers), recheck the tightness of all of the saddlebag mounting yoke and any related hardware. Inspect the saddlebags, any supports you must install, and any related hardware before each ride. Loose accessories can interfere with the motorcycle's operation and cause an unsafe riding condition.

**IMPORTANT REMINDER:** For your safety, and the protection of your motorcycle and saddlebags, it is essential that you install saddlebag supports.



### CARE OF YOUR SADDLEMEN ACCESSORY:

Your Saddlemen saddlebags require almost no maintenance, other than periodic cleaning. Use Saddlemen Seat & Saddlebag Ultra Wash (#3101) for the best results while cleaning, or use mild soap and water. Protect the finish and enhance the appearance of your bag with Saddlemen's Seat & Saddlebag Fabric Conditioner (#3103).



## SADDLEMEN LIMITED ONE-YEAR WARRANTY

Saddlemen warrants its products for defects in materials, design or workmanship for a period of one year after retail purchase. Items that are defective will be repaired or replaced by Saddlemen at its sole discretion. Damage caused by improper use or improper installation is not a defect; therefore repair or replacement of a damaged accessory will not be covered under this warranty. This warranty contains other provisions and conditions, so please visit [www.saddlemen.com](http://www.saddlemen.com) for additional information. Thank you for purchasing your new Saddlebag Set. You can count on Saddlemen's quality, innovation, service and style. We want you to be completely satisfied. If you have any comments, or are not satisfied with the performance of your Saddlemen accessory, please contact the Saddlemen support line at (310) 638-1222.

The images in this instruction set may be different than your accessory or motorcycle.



17801 SOUTH SUSANA ROAD, RANCHO DOMINGUEZ, CA 90221 (310) 638-1222 5 / 5

(09-10-2011) 33-400221